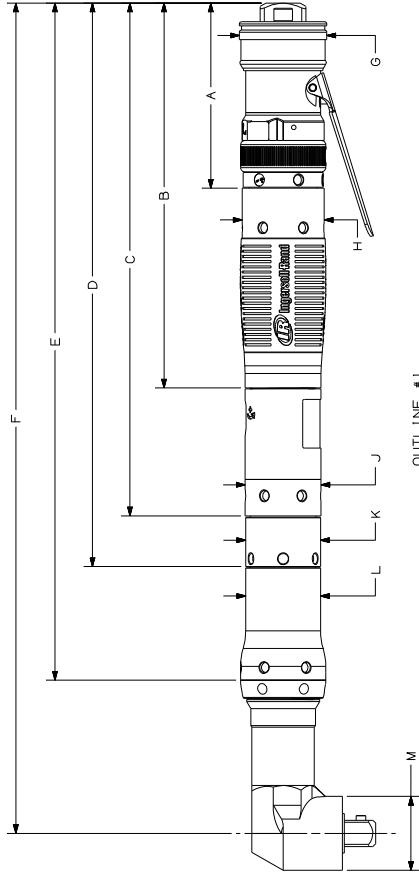


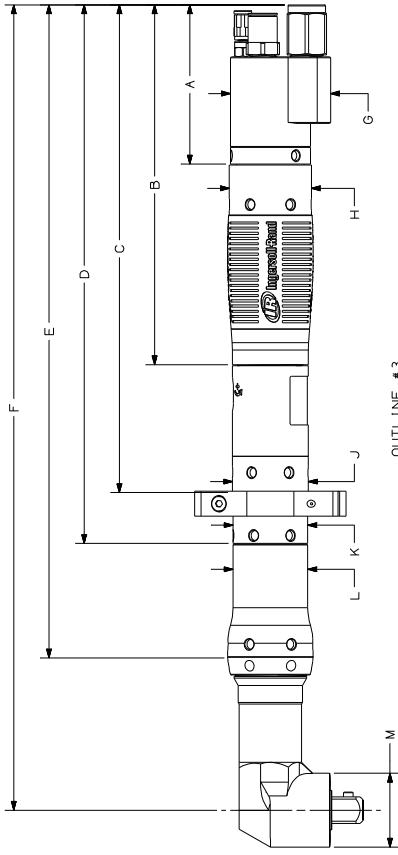


QA4 SERIES ANGLE
45623980-DWG_00

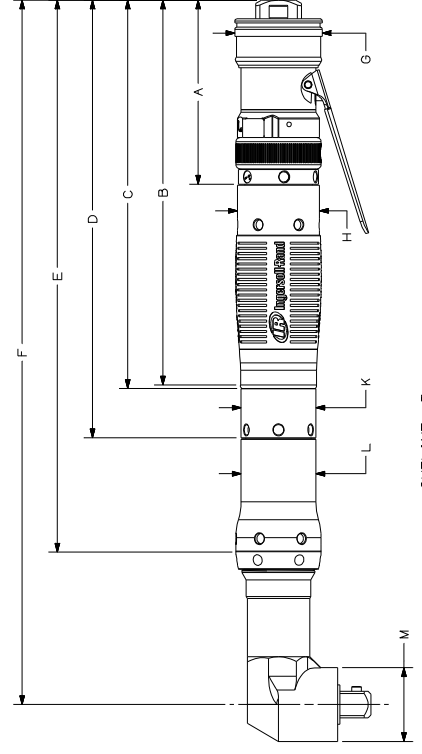
OUTLINE #	MODEL	TORQUE (XXX)				INLET (-) FLANGE (-)				A	B	C	D	E	F	G	H	J	K	L	M
		0.11	0.15	0.20	0.30	040	055	N	B												
1	QA4ALS1XXX1 (-) 125S06	X	X	X	X							296	N/A	329.5						N/A	25
	QA4ALS1XXX1 (-) 128S06	X	X	X	X							296.2	N/A	350.2						N/A	28
	QA4ALS1XXX1 (-) 135S06			X	X	X			88.5	185.1	246.6	303.3	N/A	376.6		42	39.5	36.5	36	N/A	35.5
	QA4ALS1XXX1 (-) 135S08			X	X	X						271	326	399.3						36	35.5
	QA4ALD1XXX1 (-) 125S06	X	X	X	X							235.4	N/A	268.9						N/A	25
	QA4ALD1XXX1 (-) 128S06	X	X	X	X							235.7	N/A	289.7						N/A	28
2	QA4ALD1XXX1 (-) 135S06			X	X	X			88.5	185.1	186.6	242.7	N/A	316		42	39.5	N/A	36	N/A	35.5
	QA4ALD1XXX1 (-) 135S08			X	X	X					210.4	265.5	338.8						36	35.5	
	QA4ARS1XXX1 (-) 125S06	X	X	X	X							284	N/A	317.5					N/A	25	
	QA4ARS1XXX1 (-) 128S06	X	X	X	X							284.2	N/A	338.2					N/A	28	
	QA4ARS1XXX1 (-) 135S06			X	X	X			77.5	173.1	234.6	291.3	N/A	364.6		48.3	39.5	36.5	36	N/A	35.5
	QA4ARS1XXX1 (-) 135S08			X	X	X						259	314	387.3						36	35.5
3	QA4ARD1XXX1 (-) 125S06	X	X	X	X							223.4	N/A	256.9						N/A	25
	QA4ARD1XXX1 (-) 128S06	X	X	X	X							223.7	N/A	277.7						N/A	28
	QA4ARD1XXX1 (-) 135S06			X	X	X			77.5	173.1	174.6	230.7	N/A	304		48.3	39.5	N/A	36	N/A	35.5
	QA4ARD1XXX1 (-) 135S08			X	X	X						198.4	253.5	326.8						36	35.5
	QA4ARD1XXX1 (-) 125S06	X	X	X	X							284	N/A	317.5						N/A	25
	QA4ARD1XXX1 (-) 128S06	X	X	X	X							284.2	N/A	338.2						N/A	28



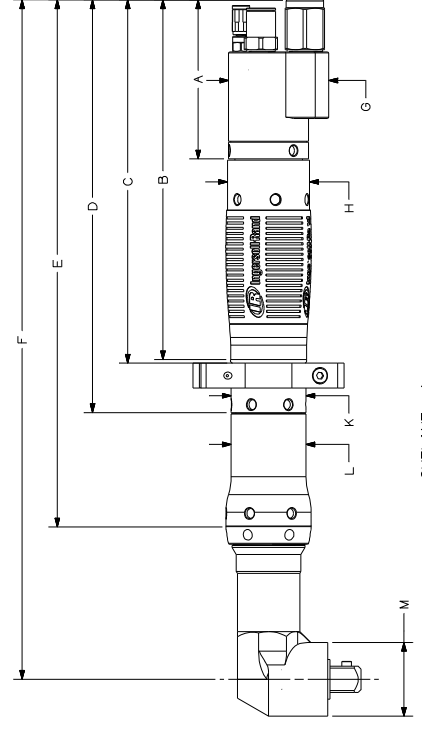
OUTLINE #1



OUTLINE #3



OUTLINE #2



OUTLINE #4